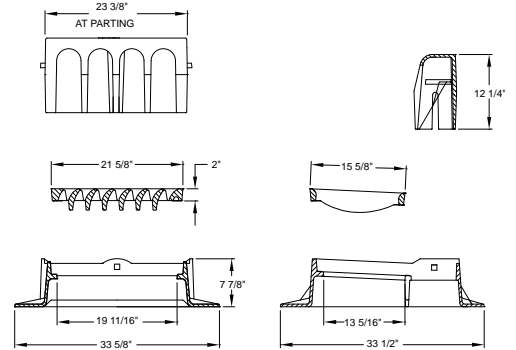


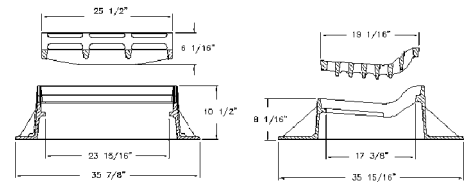
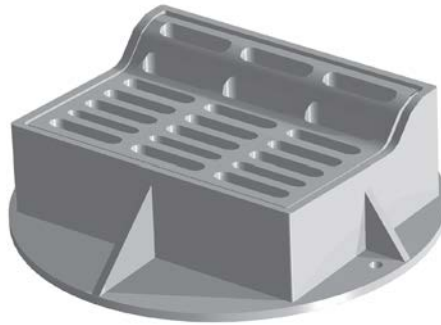
7520 CATCH BASIN CURB INLET

Heavy duty
 With Type M2 grate and T2 back
 Approximate 145 sq. in. open area
 Curb back height adjusts from 5 1/4" to 8 3/4"
 "DUMP NO WASTE!" lettering and fish
 image on back



7525 CATCH BASIN CURB INLET

Heavy duty
 Approximate 220 sq. in. open area
 "DUMP NO WASTE!" lettering and
 fish image



7530 CATCH BASIN CURB INLET

Heavy duty
 With straight face curb
 "DUMP NO WASTE!" lettering on top cover

